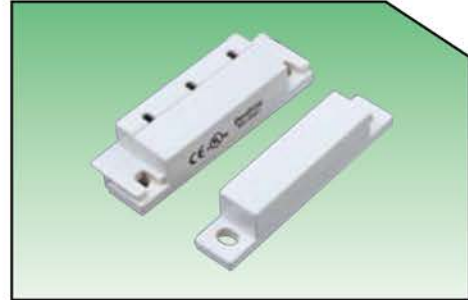


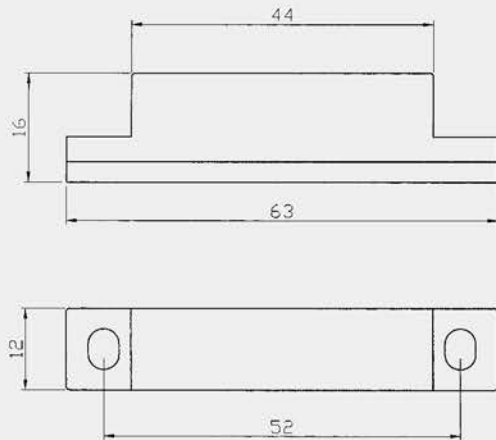


E-M-DCS3 Door Contact Sensor

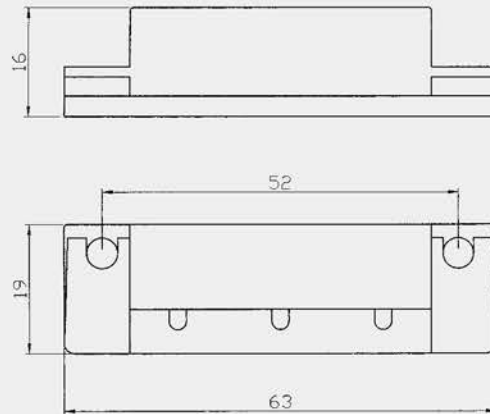
- * Screw mount Concealed terminals
- * Spacers, cover and screws included
- * Color : Grey



Dimension (mm):



MAGNET



SWITCH

Specifications

Part Number	Loop Type	Reed Form	Closed Gap [Inch(mm)]	Depature Gap [Inch(mm)]	Maximum Initial Contact Resistance (Ohm)	Maximum Contact Rating (W)	Maximum Switching Voltage (VDC/VAC)	Maximum Switching Current (A)
E-M-DCS3	Closed	N/O	1.2 (30)	1.3 (33)	0.150	10	100	0.5

Note: Wire range for terminal: #18~#24AWG