



**NETWORK
TECHNOLOGIES
INCORPORATED**

1275 Danner Dr Tel:330-562-7070
Aurora, OH 44202 Fax:330-562-1999
www.networktechinc.com

E-H2S (P/N: TX-6-HS)

Hydrogen Sulfide Detector, Controller and Transducer

User Instructions



Important: Keep these User Instructions for reference

TABLE OF CONTENTS

GENERAL SAFETY INFORMATION	3
Intended Use	3
List of Warnings and Cautions	3
USE INSTRUCTIONS AND LIMITATIONS	4
Use For	4
Do Not Use For	4
General Description	4
Features	5
Specifications	5
INSTALLATION AND OPERATING INSTRUCTIONS	5
Location	6
Installation	6
Garage diagram	7
4-20 mA Output diagram	7
Multiple Device diagram	8
Alarm Control Panel diagram	8
ENVIROMUX Connection Diagram	9
Power Up	10
Operation	10
Default – Factory Settings	10
Display setting	11
Buzzer setting	11
Alarm Relay setting	12
Alarm Relay Configuration	12
Fan Relay setting	12
Fan Relay Delay setting	13
Fan Minimum Runtime setting	13
Fan Relay Latching setting	13
4-20mA Output setting	13
On Board Diagnostics	13
Sensor Poisons	14
MAINTENANCE	14
End-of-Warranty Signal	14
Sensor Replacement	15
Sensor Life Reset	15
Cleaning	16
Testing	16
Operation Test	16
Hydrogen Sulfide Test	18
Field Calibration Procedure	20

GENERAL SAFETY INFORMATION

Intended Use

The E-H2S is a low voltage, dual relay Hydrogen Sulfide (H₂S) detector, controller and transducer. The detector has selectable 4-20 mA output, buzzer and digital display options. It is an electronic detection system used to measure the concentration of H₂S and provide feedback and automatic exhaust fan control to help reduce H₂S concentrations in refineries, pulp and paper mills, waste disposal or other commercial applications. The detector is a low level meter capable of displaying from 0-50 ppm of Hydrogen Sulfide. The E-H2S is factory calibrated and 100% tested for proper operation, but can also be calibrated in the field.

List of Warnings and Cautions within these User Instructions

WARNING

- Each person using this equipment must read and understand the information in these User Instructions before use. Use of this equipment by untrained or unqualified persons, or use that is not in accordance with these User Instructions, may adversely affect product performance and **result in sickness or death.**
- Use only for monitoring the gas which the sensor and instrument are designed to monitor. Failure to do so may result in exposures to gases not detectable and **cause sickness or death.** For proper use, see supervisor or User Instructions, or call Technical Service at 1-877-367-7891.
- This equipment may not function effectively below 0°F or above 125°F (-18°C or above 52°C). Using the detector outside of this temperature range may adversely affect product performance and **result in sickness or death.**
- This detector helps monitor for the presence and concentration level of a certain specified airborne gas. Misuse may produce an inaccurate reading, which means that higher levels of the gas being monitored may be present and could result in overexposure and **cause sickness or death.** For proper use, see supervisor or User Instructions, or call Technical Service at 1-877-367-7891.
- High voltage relay terminals (120/240 VAC) are located within this detector, presenting a hazard to service technicians. Only qualified technicians should open the detector case and service the internal circuits. Ensure power is removed from the detector relays prior to servicing the unit. **Failure to do so may result in sickness or death.**
- Do not disassemble unit or attempt to repair or modify any component of this instrument. This instrument contains no user serviceable parts, and substitution of components may impair product performance and **result in sickness or death.**
- Using a certified gas with a concentration other than the one listed for this detector when conducting a calibration or calibration verification test (bump test) will produce inaccurate readings. This means that higher levels of the gas being monitored may be present and could result in overexposure and **cause sickness or death.** For proper use, see supervisor or User Instructions, or call Technical Service at 1-877-367-7891
- The following steps must be performed when conducting a calibration or calibration verification test (bump test) to ensure proper performance of the monitor. Failure to do so may adversely affect product performance and **result in sickness or death.**
 - When performing a calibration or calibration verification test (bump test) only use certified calibration gas at the required concentration level. Do not calibrate with expired calibration gas.
 - If the instrument cannot be calibrated, do not use until the reason can be determined and corrected.
 - Do not cover or obstruct display or visual alarm
 - Ensure sensor inlets are unobstructed and is free of debris

USE INSTRUCTIONS AND LIMITATIONS



Each person using this equipment must read and understand the information in these User Instructions before use. Use of this equipment by untrained or unqualified persons, or use that is not in accordance with these User Instructions, may adversely affect product performance and **result in sickness or death**.

Use For

The TX-6-HS provides Hydrogen Sulfide detection and automatic exhaust fan control for refineries, pulp and paper mills, waste disposal or other commercial applications. Hydrogen Sulfide or H₂S, also called sewer gas, is a colorless gas with a strong odor of rotten eggs. Note: Sense of smell becomes rapidly fatigued & can NOT be relied upon to warn of the continuous presence of H₂S. The TX-6-HS is designed to meet the NIOSH and OSHA standards for Hydrogen Sulfide exposure limits. TX-6-HS can be used stand alone, with the ENVIROMUX Environment Monitoring Systems, 12 VAC or 24 VDC fire/security panels or building automation systems.



Use only for monitoring the gas which the sensor and instrument are designed to monitor. Failure to do so may result in exposures to gases not detectable and **cause sickness or death**. For proper use, see supervisor or User Instructions, or call Technical Service at 1-877-367-7891.

Do Not Use For

The TX-6-HS is not intended for use in hazardous locations. Do not mount the TX-6-HS where the normal ambient temperature is below 0°F or exceeds 125°F (below -18°C or above 52°C). The TX-6-HS mounts on a 4x4 electrical box supplied by the contractor. Do not install the TX-6-HS inside another box unless it has good air flow through it.



This equipment may not function effectively below 0°F or above 125°F (-18°C or above 52°C). Using the detector outside of this temperature range may adversely affect product performance and **result in sickness or death**.

General Description

The TX-6-HS is a low voltage, dual relay Hydrogen Sulfide (HS) detector and automatic ventilation controller. The TX-6-HS uses a microcomputer controlled, electronic system to measure the concentration of Hydrogen Sulfide, actuate relays and provide a 4-20mA output. The TX-6-HS has a field replaceable, electrochemical sensor (expected life of 2+ years) and optional gas test and calibration kits. The TX-6-HS is a low level meter capable of displaying from 0-50ppm of Hydrogen Sulfide.

Features

- ETL Listed to UL 61010-1
- Low level meter capable of displaying from 0-50 ppm Hydrogen Sulfide
- The TX-6-HS meets NIOSH and OSHA standards for gas exposure
- Selectable fan and alarm relay activation
- 5 A SPDT fan relay controls starters of exhaust fans
- 0.5 A N.O. or N.C. alarm relay connects to warning devices or control panels
- 4-20 mA Current Loop
- TX-6-HS mounts on a standard 4x4 electrical box and becomes cover for the box
- Supervised system: any internal detector problem will cause the fan & alarm relay to activate
- Calibration kit is available. One screw allows access for calibration or gas test

Specifications

- Power: 3 W (max) from 12 to 24 VAC or 12 to 32 VDC
- Current @ 24 VDC: 75 mA in alarm (two relays), 50 mA (fan relay only) and 23 mA stand by
- Shipping Weight: 1 pound (0.45 kg)
- Size: 4 1/2 x 4 x 2 1/8 in. (11.4 X 10.2 X 5.4 cm)
- Color: Dark gray
- Connections: plugs/terminals
- Mounting box: (not included) 4x4 electric
- Fan relay: 5 A, 240 VAC, pilot duty, SPDT, latching or non-latching
- Fan relay actuation: selectable at diS (disable), 1, 2, 3, 4, 5, 6, 7, 8 (default), 9, 10, 11, 12, 13, 14, 15, 16, 17, 18, 19, 20 ppm
- Fan Delay Settings of 0, 1, 3 (default), 5 and 10 minutes
- Fan Minimum Run Time settings are 0 (default), 3, 5, 10 or 15 minutes
- Fan relay latching or not latching (default) selectable
- Alarm relay: 0.5A 120 V, 60 VA
- Alarm relay actuation: selectable N.O. (default) or N.C.
- Alarm relay settings: diS, 5, 10, 15, 20 (default), 25, 30, 35, 40, 45, 50 ppm H₂S
- Current Loop: 4-20 mA for 0-50ppm H₂S, selectable to off or on (default)
- Buzzer: 85 dBA at 10cm settable to off (default) or on
- Digital display: 3 digit LED selectable to off (default) or on.
- Operating environ: 0°F to 125°F (-18°C to 52°C).10 to 90% RH

INSTALLATION AND OPERATING INSTRUCTIONS

The following instructions are intended to serve as a guideline for the use of the TX-6-HS Hydrogen Sulfide Detector. It is not to be considered all-inclusive, nor is it intended to replace the policy and procedures for each facility. If you have any doubts about the applicability of the equipment to your situation, consult an industrial hygienist or call Technical Service at 1-877-367-7891.

 **WARNING**

This detector helps monitor for the presence and concentration level of a certain specified airborne gas. Misuse may produce an inaccurate reading, which means that higher levels of the gas being monitored may be present and could result in overexposure and **cause sickness or death**. For proper use, see supervisor or User Instructions, or call Technical Service at 1-877-367-7891.

Location

A TX-6-HS is normally mounted low in the room on a wall or column one foot above the floor in a central area where air movement is generally good. Use the same spacing as for smoke detectors, 30-foot centers, 900 square feet per detector (465 sq. meters). The coverage depends on air movement within the room or facility. Extra detectors may be needed near any areas where people work or where the air is stagnant. The TX-6-HS mounts on a 4x4 electrical box supplied by the contractor. Do not install the TX-6-HS inside another box unless it has good air flow through it. Do NOT mount the TX-6-HS where the normal ambient temperature is below 0°F or exceeds 125°F (below -18°C or above 52°C).

 **WARNING**

High voltage relay terminals (120/240 VAC) are located within this detector, presenting a hazard to service technicians. Only qualified technicians should open the detector case and service the internal circuits. Ensure power is removed from the detector relays prior to servicing the unit. **Failure to do so may result in sickness or death.**

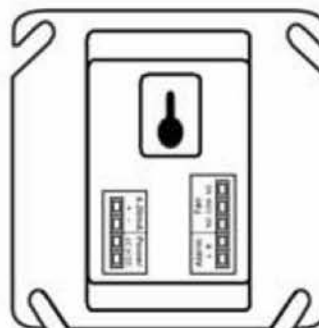
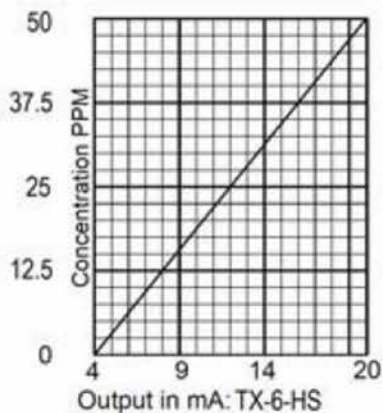
Installation

1. The TX-6-HS mounts on a 4" square (or 4x4) electrical box supplied by the contractor. Do not mount the TX-6-HS inside another box, unless it has good air flow through it.
2. Connect the TX-6-HS to Class 2 power supply only. It is suggested to use a separate transformer for powering the unit or units because of possible interference's from other devices on the same power supply.
3. Connect the TX-6-HS to the control cables with terminal plugs. When making connections, make sure the power is off.
4. There are two terminals for Power: 12 to 24 VAC or 12 to 32 VDC, with no polarity preference.
5. There are two terminals for the dry alarm relay contacts, again with no polarity preference. The alarm relay can switch up to 0.5 A 120 V, or 60 VA. The alarm relay is activated if gas reaches or exceeds the alarm settings. See OPERATION section of these User Instructions for details on relay settings.
6. The alarm relay can be configured to normally open (default) (N.O.) or normally closed (N.C.) and will activate if the gas concentration exceeds alarm set point. It will deactivate once the gas concentration drops below the alarm set point. Note that the "disable" setting will cause the alarm relay not to engage at all.
7. The dry contact, SPDT fan relay has three terminals. The common (COM.), normally open (N.O.) and the normally closed (N.C.) contact. The fan relay can switch up to 5.0 A up to 240 VAC. See OPERATION section of these User Instructions for details on relay settings.

8. The Fan Relay can be configured for latching or non-latching (default) when activated (when the gas concentration exceeds fan relay set point).
9. The Fan Relay will engage if the fan setting Hydrogen Sulfide concentration is exceeded for longer than the Fan Relay Delay time. Unless it is configured for latching, the fan relay will disengage once both of these conditions have been met:
 - Hydrogen Sulfide concentration has dropped below fan setting
 - Fan Relay Run time has been exceeded

Note that the "disable" fan setting will cause the fan relay to not engage. The fan relay will engage in trouble fault condition and will disengage once trouble fault condition is cleared.

10. The Current Loop is 4 mA in clean air and 20 mA for 50 ppm Hydrogen Sulfide

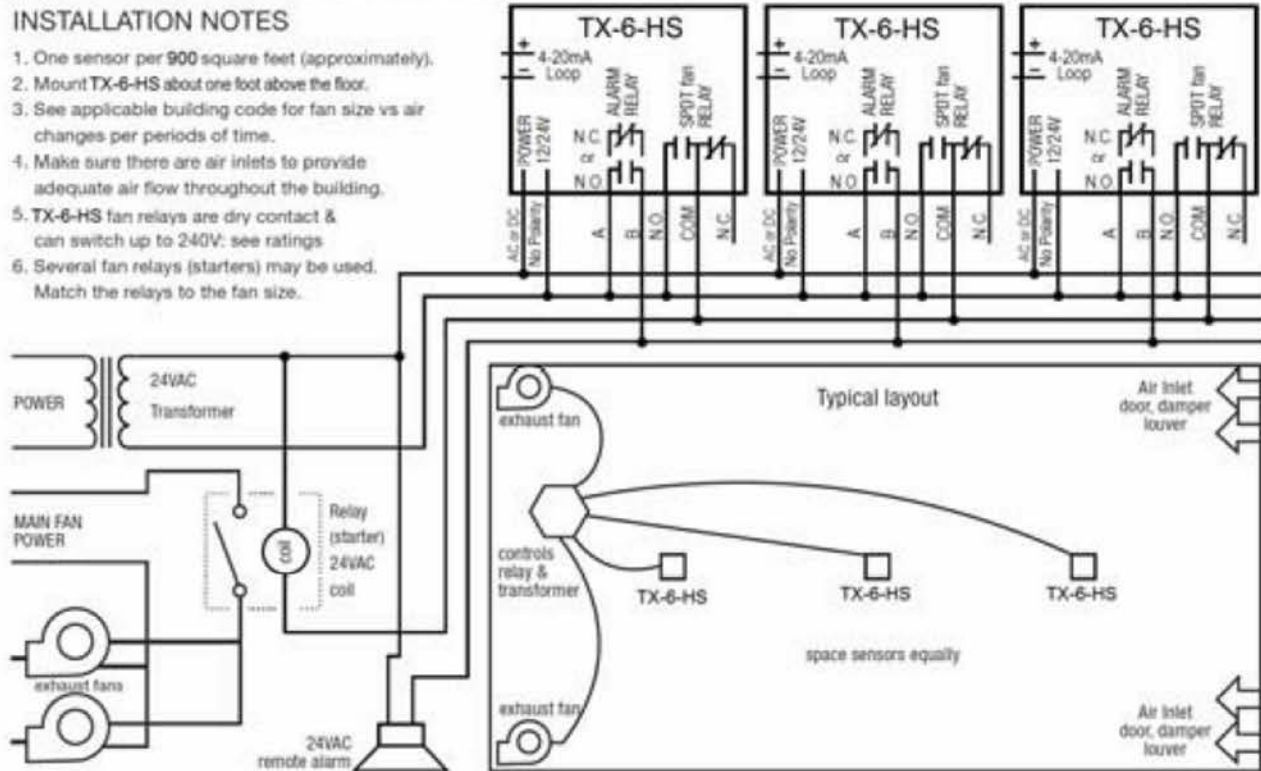


TX-6 rear view with Modular Connectors

Typical multiple TX-6-HS installation

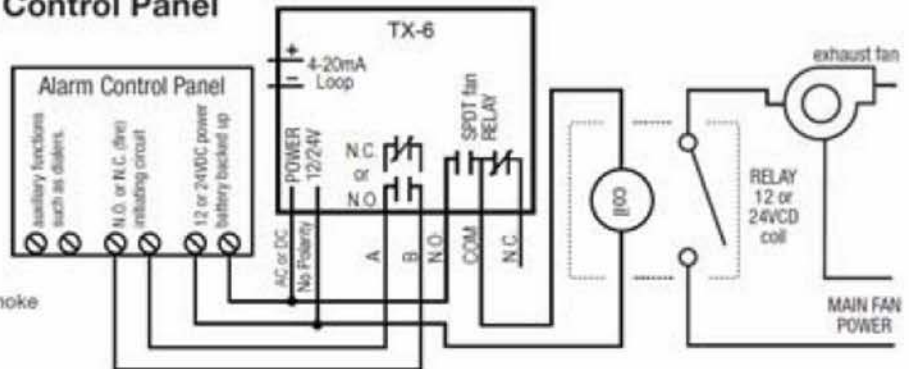
INSTALLATION NOTES

1. One sensor per 900 square feet (approximately).
2. Mount TX-6-HS about one foot above the floor.
3. See applicable building code for fan size vs air changes per periods of time.
4. Make sure there are air inlets to provide adequate air flow throughout the building.
5. TX-6-HS fan relays are dry contact & can switch up to 240V; see ratings
6. Several fan relays (starters) may be used. Match the relays to the fan size.

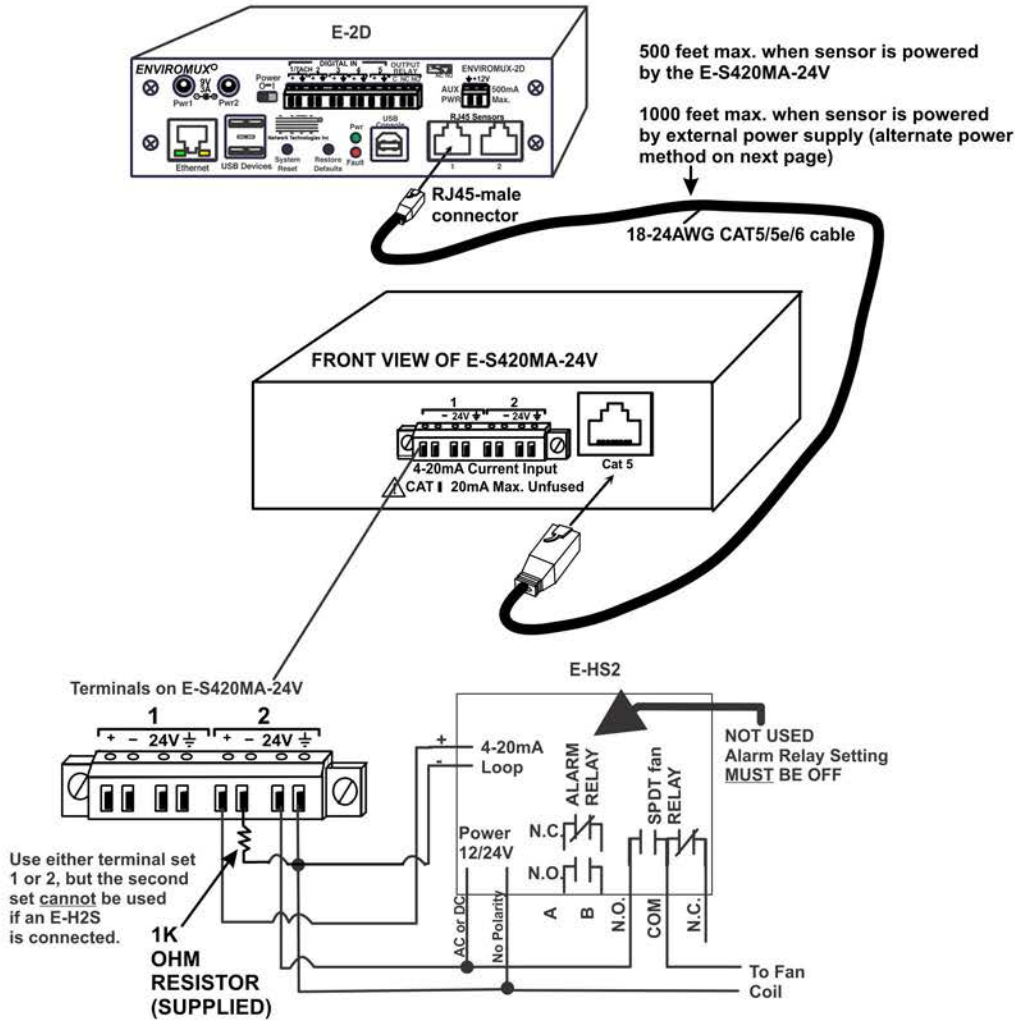


Typical Connection to Alarm Control Panel

1. TX-6 can be used with 12VDC or 24VDC N.O. (fire) panels.
2. Alarm panel provides battery backed up power to TX-6.
3. TX-6 dry contact fan relay can use panel power or fan power; check ratings.
4. Match fan relay contacts to fan size, and coil voltage to power source.
5. Alarm Control Panels are available with many features & can control other devices such as smoke detectors, fire detectors & burglar alarms.

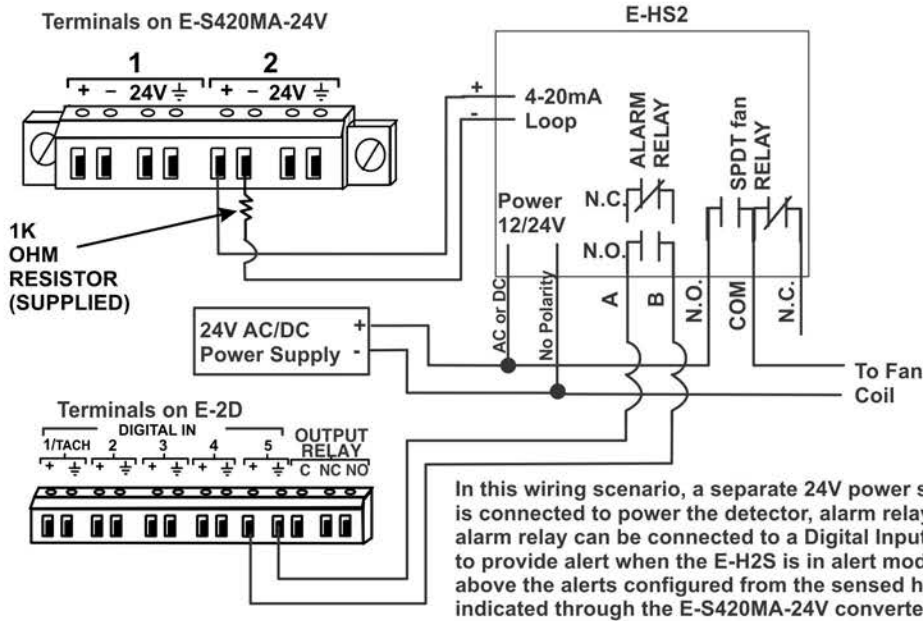


Typical connection to ENVIROMUX Enterprise Environment Monitoring System

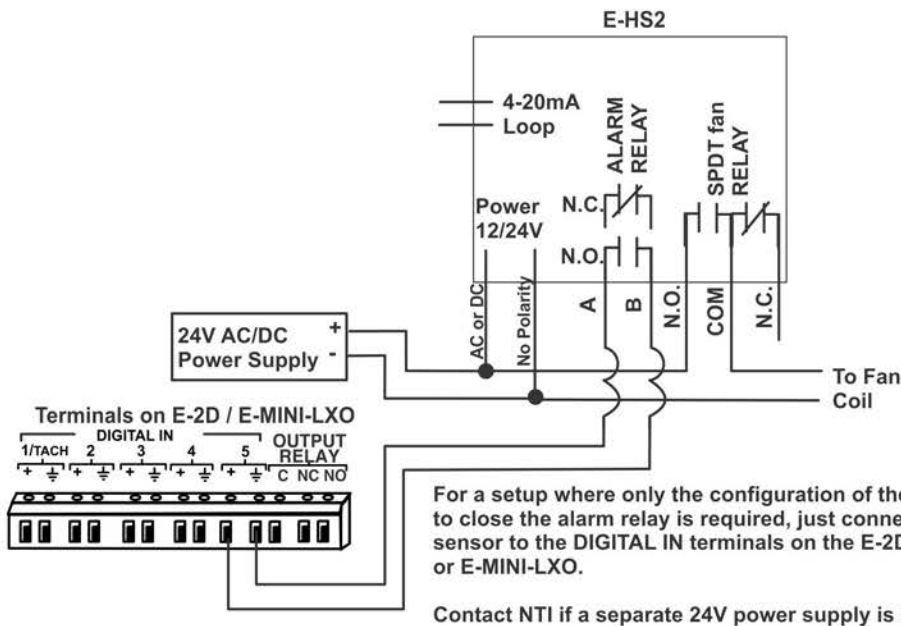


In this wiring scenario, the alarm relay in the E-2S must be set to OFF because the alarm relay requires more current than is supplied by the E-S420MA-24V. An E-SRN-M (siren) and/or E-BCN-R (beacon) can be connected to the E-xD (wiring on page 12 of E-xD manual) for audible and/or visual indication of alert. Alerts will be based solely on measured hydrogen sulphide levels reported by the E-H2S through the E-S420MA-24V converter. Alerts will be those as configured through the ENVIROMUX web interface.

Alternate connection to ENVIROMUX Enterprise Environment Monitoring System



Contact NTI if a separate 24V power supply is required.



Example of E-H2S Detector Configuration in ENVIROMUX WEB Interface

[-] Sensor Settings	
Description	H2S Sensor #3.1 Descriptive name for the sensor
Group	1 ▾ Select which group the sensor belongs to
Min. Level	4.0 Min. supported value for the sensor
Max. Level	20.0 Max. supported value for the sensor
Associate Sensor	<input checked="" type="checkbox"/> Associate sensor to a customized sensor type
Associated Sensor Type	H2S Type of the associated sensor
Associated Sensor Unit	PPM Measurement unit for the associated sensor
SNMP Associated Type ID	32767 ID value for SNMP type of associated sensor
Min. Associated Level	0 Sensor expected value corresponding to 4mA
Max. Associated Level	50 Sensor expected value corresponding to 20mA
Min. Non-Critical Threshold	<input type="text"/> Min. threshold below which indicates a non-critical alert condition
Max. Non-Critical Threshold	<input type="text"/> Max. threshold above which indicates a non-critical alert condition
Min. Critical Threshold	<input type="text"/> Min. threshold below which indicates an alert condition
Max. Critical Threshold	<input type="text"/> Max. threshold above which indicates an alert condition
Refresh Rate	10 <input type="text"/> Sec ▾ The refresh rate at which the sensor view is updated

[+] Non-Critical Alert Settings
--

[+] Critical Alert Settings

[+] Data Logging

See E-xD manual for more details regarding sensor configuration

Power Up

The TX-6-HS steps through an internal self-test cycle for the first 1 minute that it is powered. The unit will execute the test cycle any time power is dropped and reapplied (i.e. power failure). During the self-test cycle the unit will display the Firmware Version number, then count down from 60 to 0 and finally go into normal operation. The Fan and Alarm relay will be activated for the power-up cycle unless the "Power Up Test" (PUt) option is OFF. The indicator light (LED) will flash green during the self-test cycle. At the end of the 1 minute cycle, the unit will take its first sample of the air and the indicator light will turn solid green.

Operation

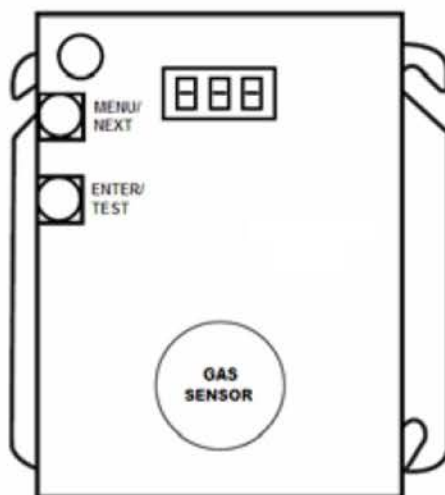
1. With the display function turned "On", the TX-6-HS will show the current concentration of H₂S ppm or "0" (zero) in clean air. When the H₂S concentration reaches the Fan Relay setting (8 ppm, for example) the display will flash back and forth between "FAn" and "8". With the display function turned "OFF", the display does not show the gas concentration, but will show "FAn" as long as the fan relay is activated.
2. With the display function turned "On" and the H₂S concentration reaching the Alarm Relay setting, (20 ppm, for example) the display will flash back and forth between "ALr" and "20". The buzzer will sound indicating "Alarm" if the buzzer is turned "On". With the display function turned off the display does not show the H₂S concentration, but will show "ALr" when the Alarm relay is activated.
3. With the 4-20 mA function turned "On" and the H₂S concentration climbing the 4-20 mA signal will ramp up corresponding to the concentration (0-50 ppm).

Default Configuration – Factory Settings

- The default **Power Up Test** setting is **On**
- The default **Display** setting is **OFF**

- The default **Buzzer** setting is **OFF**
- The default **Alarm Relay Setting** is activation at **20 ppm**
- The default **Alarm Relay Configuration** is **Normally Open**
- The default **Fan Relay Setting** is activation at **8 ppm**
- The default **Fan Relay Delay** setting is **3 minutes**
- The default **Fan Relay Runtime** setting is **0**
- The default **Fan Relay Latching** condition is **OFF**
- The default **4-20mA Output** setting is **On**

To change settings, remove the Philips screw on the front of the TX-6-HS. Pull off the front cover of the unit.



Selecting Default Configuration – “dEF”

To select the Default Configuration, in normal mode, push the **Next** button to get to “Con” or the Configuration menu. Then push the **Enter** button to enter the Con menu. The **first** selection is the “dEF” or Default setting. Push **Enter**. If it is already in Default configuration, there will be no action. If it is not already in Default configuration, “no” will be displayed. Push **Next** to change it to “yES” (flashing) then push **Enter** to confirm the change (solid) and push **Enter** again to return to “dEF” in the con menu. Push **Next** until “End” is displayed then push **Enter** to get back to normal operation.

Selecting Power Up Test Option – “PUT”

To select the **Power Up Test** Configuration, in normal mode, push the **Next** button to get to “Con” or the Configuration menu. Then push the **Enter** button to enter the Con menu. Then push the **Next** button to get to **the second selection** “PUT” or **Power Up Test** setting. Push **Enter**. If the test is “On” push **Next** to turn it “OFF” (flashing) then push **Enter** to confirm the change (solid) and push **Enter** again to return to “PUT” in the Con menu. Push **Next** until “End” is displayed then push **Enter** to get back to normal operation.

Selecting Display Option – “dSP”

To select the Display Configuration, in normal mode, push the **Next** button to get to “Con” or the Configuration menu. Then push the **Enter** button to enter the Con menu. Then push the **Next** button to get to **the third selection** “dSP” or Display setting. Push **Enter**. If the display is “On” push **Next** to turn it “OFF” (flashing) then push **Enter** to confirm the change (solid) and push **Enter** again to return to “dSP” in the Con menu. Push **Next** until “End” is displayed then push **Enter** to get back to normal operation.

Selecting Buzzer Option – “bUZ”

To select the Buzzer Configuration, in normal mode, push the **Next** button to get to “Con” or the Configuration menu. Then push the **Enter** button to enter the Con menu. **The forth selection** is the “bUZ” or Buzzer setting. Push **Next** three times to get to “bUZ” then **Enter**. If the display is “On” push **Next** to turn it “OFF” (flashing) then push **Enter** to confirm the change (solid) and push **Enter** again to return to “bUZ” in the Con menu. Push **Next** until “End” is displayed then push **Enter** to get back to normal operation.

Selecting Alarm Relay Setting – “ArS”

To select the Alarm Relay Setting, in normal mode, push the **Next** button to get to “Con” or the Configuration menu. Then push the **Enter** button to enter the Con menu. **The fifth selection** is the “ArS” or Alarm Relay Setting. Push **Next** four times to get to “ArS” then **Enter**. If the display is “diS” (disabled) push **Next** to change it to 5, 10, 15, 20 (default), 25, 30, 35, 40, 45, 50 ppm H₂S (flashing) then push **Enter** to confirm the change (solid) and push **Enter** again to return to “ArS” in the Con menu. Push **Next** until “End” is displayed then push **Enter** to get back to normal operation.

Selecting Alarm Relay Configuration – “Arc”

To select the **Alarm Relay Configuration**, in normal mode, push the **Next** button to get to “Con” or the Configuration menu. Then push the **Enter** button to enter the Con menu. **The sixth selection** is the “Arc” or Alarm Relay Configuration. Push **Next** five times to get to “Arc” then **Enter**. If the relay is “nO” (normally open) push **Next** to turn it to “nC” (flashing) then push **Enter** to confirm the change (solid) and push **Enter** again to return to “Arc” in the Con menu. Push **Next** until “End” is displayed then push **Enter** to get back to normal operation.

Selecting Fan Relay Settings – “FrS”

To select the Fan Relay setting, in normal mode, push the **Next** button to get to “Con” or the Configuration menu. Then push the **Enter** button to enter the Con menu. **The seventh selection** is the “FrS” or Fan Relay setting. Push **Next** six times to get to “FrS” then **Enter**. If the fan relay is “diS” (disabled) push **Next** to change it to 1, 2, 3, 4, 5, 6, 7, 8 (default), 9, 10, 11, 12, 13, 14, 15, 16, 17, 18, 19, 20

ppm (flashing) then push **Enter** to confirm the change (solid) and push **Enter** again to return to “FrS” in the Con menu. Push **Next** until “End” is displayed then push **Enter** to get back to normal operation.

Selecting Fan Relay Delay – “Frd”

To select the Fan Relay Delay setting, in normal mode, push the **Next** button to get to “Con” or the Configuration menu. Then push the **Enter** button to enter the Con menu. **The eighth selection** is the “Frd” or Fan Relay Delay. Push **Next** seven times to get to “FrD” then **Enter**. If the delay is “0” (disabled) push **Next** to change it to 1, 3, 5, or 10 minutes (flashing) then push **Enter** to confirm the change (solid) and push **Enter** again to return to “Frd” in the Con menu. Push **Next** until “End” is displayed then push **Enter** to get back to normal operation.

Selecting Fan Relay Run Time – “Frr”

To select the Fan Minimum Runtime setting, in normal mode, push the **Next** button to get to “Con” or the Configuration menu. Then push the **Enter** button to enter the Con menu. **The ninth selection** is the “Frr” or Fan Minimum Run Time. Push **Next** eight times to get to “Frr” then **Enter**. If the runtime is “0” (disabled) push **Next** to change it to 3, 5, 10 or 15 minutes (flashing) then push **Enter** to confirm the change (solid) and push **Enter** again to return to “Frr” in the Con menu. Push **Next** until “End” is displayed then push **Enter** to get back to normal operation.

Selecting Fan Relay Latching Option – “FrL”

To select the **Fan Relay Latching Option**, in normal mode, push the **Next** button to get to “Con” or the Configuration menu. Then push the **Enter** button to enter the Con menu. **The tenth selection** is the “FrL” or Fan Relay Latching Option. Push **Next** nine times to get to “FrL” then **Enter**. If latching is “OFF” push **Next** to turn it to “On” (flashing) then push **Enter** to confirm the change (solid) and push **Enter** again to return to “FrL” in the Con menu. Push **Next** until “End” is displayed then push **Enter** to get back to normal operation.

Selecting 4-20mA Output Option – “420”

To select the **4-20mA Output Option**, in normal mode, push the **Next** button to get to “Con” or the Configuration menu. Then push the **Enter** button to enter the Con menu. **The eleventh selection** is the “420” or 4-20mA Output Option. Push **Next** ten times to get to “420” then **Enter**. If the 4-20mA is “On” push **Next** to turn it to “OFF” (flashing) then push **Enter** to confirm the change (solid) and push **Enter** again to return to “420” in the Con menu. Push **Next** until “End” is displayed then push **Enter** to get back to normal operation.

Onboard Diagnostics

The TX-6-HS monitors all critical functions of the unit through software diagnostics that continuously test and verify unit operations. If a problem is found, the unit will switch to a fail-safe/error mode or trouble condition. In this error mode, the Fan and Alarm relays will be activated, the 4-20 mA current loop will go to 24 mA, the unit will display the error code and the buzzer will chirp intermittently. This is a safety precaution. To clear this mode, simply turn off power to the unit for a few seconds, or push the ENTER/TEST switch (inside the unit). This will cause the unit to restart the 1 minute self-test cycle.

The 4-20 mA signal can be used for troubleshooting:

- 0 mA is most likely a connection problem
- 4-20 mA is normal gas reading range (0-50 ppm)
- 24 mA indicates a Trouble condition

Error Codes

- t01 Sensor is missing
- t02 Temperature compensation failed
- t04 Bad EEPROM checksum
- t10 Bad EEPROM
- t20 Bad calibration
- t40 Factory calibration was not done
- t80 ADC reading failed
- t100 Under range sensor
- t200 Sensor warranty expired

NOTE: For trouble codes over 080 the display will alternate between t_1 and t00 for t100 and between t_2 and t00 for t200.

If the error mode repeats frequently, check for continuous power and proper voltage. If power is not the problem and a unit has repeating error conditions, it may need to be returned to Macurco for service, per these User Instructions.

If the error mode indicates "Sensor warranty expired" see the **Sensor Replacement** section of these User Instructions.

Sensor Poisons

The gas sensor in the detector is designed with extreme sensitivity to the environment. As a result, the sensing function may be deteriorated if it is exposed to a direct spray from aerosols such as paints, silicone vapors, etc., or to a high density of corrosive gases (such as hydrogen sulfide, sulfur dioxide) for an extended period of time.

MAINTENANCE

The TX-6-HS requires periodic maintenance. The unit uses an electrochemical sensor with a 2-3 year life expectancy that can be tested, calibrated and replaced in the field. The TX-6-HS replacement sensor is available through your local representative or from Macurco. All other maintenance and repair of products manufactured by Macurco are to be performed at the appropriate Macurco manufacturing facility. Macurco does not sanction any third-party repair facilities.

End-of-Warranty Signal

Two years after the TX-6-HS is installed the sensor end-of-warranty signal will be activated indicating that the TX-6-HS sensor has reached the end of its warranty period. The end-of-warranty signal will cause an error code t200 "Sensor warranty expired". See Error

Codes section. In addition to the end-of-warranty signal the sensor itself has a tamper proof warranty expiration sticker dated 2 years from the unit manufacture date. See the Macurco Fixed Gas Detection Products Limited Warranty section.

The end-of-warranty signal can be silenced for 48 hours by pressing the "ENTER/TEST" button or by temporarily dropping power to the unit. The end-of-warranty signal provides the user an opportunity to test and/or calibrate the sensor assuring that it is still performing within acceptable parameters though the sensor is nearing the end of its 2-3 year expected life. The silence function will continue to be available for 29 days after the TX-6-HS initiates the initial end-of-warranty signal. After this 29 day period the TX-6-HS can no longer be silenced and the sensor must be replaced or the sensor life reset.

Sensor Replacement

1. Remove power to the unit
2. Remove the Philips screw on the front of the TX-6-HS. Pull the front cover of the unit off.
3. Remove the sensor by pulling it gently from the three pronged socket.
4. Remove the Shorting Spring from the new sensor and insert the new sensor into the socket.
5. Power up the unit. The TX-6-HS steps through an internal self-test cycle for the first 1 minute that it is powered. During the self-test cycle the unit will display the Firmware Version number, then count down from 60 to 0 and finally go into normal operation. The indicator light (LED) will flash green during the self-test cycle. At the end of the 1 minute cycle, the unit will take its first sample of the air and the indicator light will turn solid green.
6. Let the new sensor stabilize for at least 5 minutes then refer to the **FIELD CALIBRATION PROCEDURE** section to zero and calibrate the unit.
7. After the successful calibration is complete, reset the sensor life.

Sensor Life Reset

1. Remove the Philips screw on the front of the TX-6-HS. Pull the front cover of the unit off.
2. To reset the sensor life (**rSt**), from normal or warm-up mode, press the **Next** button four times to get to SEn or **Sensor Mode**.
3. Then press the **Enter** button to get to "**rSt**" - Reset Sensor Mode.
4. Press the **Enter** button again to see the sensor reset status. If the sensor life has already been reset, done "**don**" will be displayed. If it has not already been reset, "**no**" will be displayed. Push **Next** to change it to "**yES**" (flashing) then push **Enter** to confirm the change (solid) and push **Enter** again to return to "**rSt**" in the **SEn** menu. Push **Next** until "End" is displayed then push **Enter** to get back to normal operation.

NOTE: If the sensor is reset and not replaced it is necessary to test and/or calibrate the sensor to assure that it is still performing within acceptable specifications though the sensor is nearing the end of its 2-3 year expected life. There will be no other indication of sensor performance.

WARNING

Do not disassemble unit or attempt to repair or modify any component of this instrument. This instrument contains no user serviceable parts, and substitution of components may impair intrinsic safety, which may adversely affect product performance and **result in sickness or death**.

CAUTION

Avoid the use of harsh cleaning materials, abrasives and other organic solvents. Such materials may permanently scratch the surfaces and damage the display window, labels, sensor or instrument housing.

Cleaning

Cleaning of the external surfaces is best carried out using a damp cloth with a mild detergent or soap. Use a vacuum cleaner with soft brush to remove dust or contamination under the cover. Do not blow out the sensor with compressed air.

TESTING

WARNING

Using a certified gas with a concentration other than the one listed for this detector when conducting a calibration or calibration verification test (bump test) will produce inaccurate readings. This means that higher levels of the gas being monitored may be present and could result in overexposure and **cause sickness or death**. For proper use, see supervisor or User Instructions, or call Technical Service at 1-877-367-7891

General

All TX-6-HS units are factory calibrated and 100% tested for proper operation. The unit also performs a regular automatic self-test during normal operation. If the unit detects an improper voltage or inoperable component, it will default into Error mode. In this error mode, the Fan and Alarm relays will be activated, the 4-20 mA output will go to 24 mA, the unit will display the error code and the buzzer will chirp intermittently.

Operation Test

Normally this will be the only test required for the TX-6-HS and is the recommended way to test the unit or units after installation. Check that the green TX-6-HS operating LED light is illuminated continuously. If not, do not proceed with the tests. If the unit is in error mode contact your local representative or Macurco technical service representative for information on resolving the problem.

1. Remove the single screw in the middle of the front cover of the TX-6-HS.
2. Remove the front cover.
3. Locate the switch labeled ENTER/TEST on the left side of the printed circuit board.
4. Observe the LED light on the front of the TX-6-HS.

5. If the light is solid green proceed to step 7.
6. If the light is off or flashing Green, refer to the General section above.
7. Push the Test switch once.
8. The TX-6-HS will step through a cycle test:
 - a) The display progresses through the **BUZ** (buzzer test), **Art** (alarm relay test), **Frt** (fan relay test) then **42t** (4-20 mA output test).
 - b) During the first 3 seconds of the test cycle, the Buzzer will sound
 - c) During the next 5 seconds of the test cycle, the Alarm relay will be closed, so any devices connected to that relay will be tested.
 - d) The Fan relay will be activated for the next 1 minute of the test, so if the fan circuits are wired in the normal manner, the fan should run.
 - e) The 4-20mA output will then ramp up from 4 to 20 mA over the next 130 seconds of the test, so if the circuit is wired in the normal manner, the control panel or building automation system should respond.
 - f) At the end of the test cycle, the light will turn green and be on steady (Normal Operation), the Fan & Alarm relay will be in standby mode and the 4-20 mA output will return to 4 mA (in clean air).
9. When testing is completed reassemble the unit or units.

Manual Operation Test

This option gives the user the opportunity to manually initiate an individual test for each relay, the analog output and the sensor response to gas. From normal operation mode press the **Next** button 2 times to get to the Test Mode (tSt). Press the **Enter** button once to get into the Test Menu. Press the **Next** button to scroll through the five test options and press **Enter** to initiate the selected test. Note that if the relay or 4–20 mA output has been disabled, the test selection will not be displayed in the test menu.

BUZ – Buzzer Test, 3 seconds

Art - Alarm Relay Test, 5 seconds

Frt - Fan Relay Test, 60 seconds

42t - 420 loop test, 130 seconds

gtS - Gas Test, 3 minutes (no output to the panel during the gas test)

The display will flash during the test, or in the case of the gas test, the gas level will alternate with gtS. Once the test is complete, the display will return to steady display. To exit the test menu, press the **Next** button until "End" is displayed, then press **Enter** to return to normal mode.

Hydrogen Sulfide Gas Test



The following steps must be performed when conducting a calibration or calibration verification test (bump test) to ensure proper performance of the monitor. Failure to do so may adversely affect product performance and **result in sickness or death**.

- When performing a calibration or calibration verification test (bump test) only use certified calibration gas at the required concentration level. Do not calibrate with expired calibration gas.
- If the instrument cannot be calibrated, do not use until the reason can be determined and corrected.
- Do not cover or obstruct display or visual alarm cover.
- Ensure sensor inlets are unobstructed and is free of debris

General

The TX-6-HS can be bump-tested or calibrated with the HS-FCK with Hydrogen Sulfide gas, regulator and test hood, available through your local representative or from Macurco.

Contents of the FCK

- HS-FCK: (1) Gas Cylinder, 25 ppm Hydrogen Sulfide gas in air
- Gas regulator with about two feet of plastic tubing
- Gas test hood

FCK Information

Several detectors can be calibrated with one FCK. The only limitation is the amount of gas in the cylinder and the flow of the regulator. The 34 liter cylinder for example with a 0.2LPM regulator has approximately 170 minutes of continuous calibration run time. Replacement cylinders are available. The gas cylinder should be replaced when the pressure gauge on the regulator shows 25-psi or less.

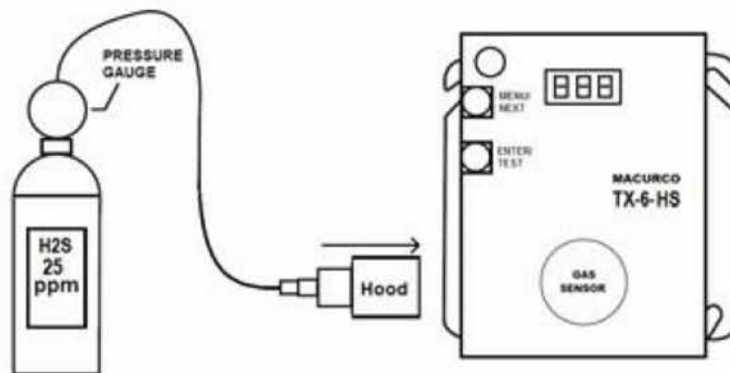
Note: For optimum test results it is suggested that the unit be in clean air (green light on) and be in a low ambient air flow

Gas Testing

Testing the Fan Relay –

1. Remove the Philips screw on the front of the TX-6-HS. Remove the front cover.
2. Open the FCK. Connect the 25 ppm gas cylinder to the regulator.
3. Check the pressure gauge on the regulator. If you have 25-psi or less you will need to replace the gas canister.
4. Assemble regulator, hose and test hood and place the Test Hood over the gas sensor.

Note: The time to activate the Fan relay depends on the delay setting.



5. Turn on the regulator to start the gas flow and wait with the gas applied continuously.
6. With the display function turned "On", the TX-6-HS will show the current concentration of gas or "0" (zero) in clean air. When the gas concentration reaches the Fan Relay setting (8 ppm, for example) the display will flash back and forth between "FAn" and "8". With the display function turned "OFF", the display does not show the gas concentration, but will show "FAn" as long as the fan relay is activated.

Note: If the Fan relay does not close within 2 minutes, there are five possibilities:

- a. Gas cylinder is empty, check the pressure gauge. Replace the gas cylinder if 25psi or less.
 - b. Unit needs to be re-calibrated (go through recalibration and re-test).
 - c. Detector is in need of servicing (return unit to factory for servicing).
 - d. Detector has fan relay set to disable (diS). Set fan relay to 3 ppm and repeat the test.
 - e. Detector has fan relay delay set to 3 minutes. Set fan relay to 0 minutes and repeat the test.
7. Remove the gas from the sensor. Proceed to Test the Alarm relay or replace the top cover. Fan relay test is complete.

Testing the Alarm Relay

Note: The gas concentration to activate the Alarm relay depends on the setting.

1. Connect the 25 ppm cylinder of Hydrogen Sulfide to the regulator.
2. Check the pressure gauge. If there is 25psi or less the cylinder should be replaced.
3. Place the test hood over the gas sensor. Turn on the regulator to start the gas flow.
4. The Fan relay should activate according to the settings.
5. With the display function turned "On" and the gas concentration reaching the Alarm Relay setting, (20 ppm, for example) the display will flash back and forth between "ALr" and "20". The buzzer will sound indicating "Alarm" if the buzzer is turned "On". With the display function turned off the display does not show the gas concentration, but will show "ALr" when the Alarm relay is activated.

Note: If the Alarm relay fails to operate within 2 minutes, there are four possibilities:

- a. Gas cylinder is empty, check the pressure gauge. Replace the gas cylinder if 25-psi or less.
 - b. Unit needs to be re-calibrated (go through recalibration and re-test).
 - c. Detector is in need of servicing (return unit to factory for servicing).
 - d. Detector has Alarm relay set to disable (diS) or higher than 20 ppm. Set Alarm relay to 20 ppm and repeat the test.
6. Remove the gas from the sensor after Test. Proceed to Test the 4-20mA output or replace the top cover. Alarm relay test is complete.

Testing the 4-20mA current loop

1. Connect the 25 ppm cylinder of Hydrogen Sulfide to the regulator.
2. Check the pressure gauge. If there is 25-psi or less the cylinder should be replaced.
3. Place the test hood from the regulator over the gas sensor. Turn on the regulator to start the gas flow.
4. The Fan relay should activate according to the settings.
5. The Alarm relay should activate according to the settings.
6. The 4-20 mA output should ramp up from 4mA in clean air to 8 mA at 12.5 ppm. See 4-20 mA diagram on page 7.

Note: If the 4-20mA output does not ramp up within 2 minutes, there are four possibilities:

- a. Gas cylinder is empty, check the pressure gauge. Replace the gas cylinder if 25-psi or less.
 - b. Unit needs to be re-calibrated (go through recalibration and re-test).
 - c. Detector is in need of servicing (return unit to factory for servicing).
 - d. Detector has 4-20 mA option set to "OFF". Set 4-20mA option to "On" and repeat the test.
7. Remove the gas from the sensor. Re-assemble the TX-6-HS (make sure the LED is aligned with the front case hole). 4-20 current loop test is complete.

FIELD CALIBRATION PROCEDURE

Note: For optimum calibration results the unit should be in clean air and be in a low ambient air flow.

Zero the Sensor

1. Ensure that the ambient air has less than 0.1 ppm H₂S before proceeding with Zeroing the sensor. Remove the Philips screw on the front of the TX-6-HS. Pull the front cover of the unit off.
2. To select Calibration Zero Mode (**000**), from normal mode, press the **Next** button three times to get to **CAL** or Calibration Mode.
3. Then press the **Enter** button to get to "**000**" - Calibration Zero Mode.
4. Press the **Enter** button and the display will read **the current gas level** alternating with **000** (blinking) indicating zero calibration in progress (max 165 sec).
5. If the process is successful, the display will read **0** alternating with **PAS** (blinking) Zero Calibration complete.

6. If the process was not successful the display will read **the current gas level** alternating with **FAil** (fail) (blinking). If this occurs, repeat steps 2 through 4. If the sensor fails to zero twice contact Technical Assistance: 1-877-367-7891.

Note: The display may just go back to 000 if the process is unsuccessful because the sensor response is too negative or if gas is present.

7. To return to Normal Mode press **Enter** and then press **Next** until "End" is displayed. Press **Enter** to return to Normal Mode.

Calibration

1. Remove the Philips screw on the front of the TX-6-HS. Pull the front cover of the unit off.
2. Assemble the 25 ppm gas cylinder and regulator together.
3. Check the pressure gauge on the regulator. If you have 25-psi or less you will need to replace the gas canister.
4. Place the test Hood from the regulator over the gas sensor.
5. Push **Next** 3 times to get to the CAL menu then push **Enter**. Press Next once to get to Span mode then press Enter, the display will flash back and forth between gAS and the current gas level.
6. Start applying 25 ppm gas to the gas sensor by turning on the valve on the regulator.
Note: The sensor will look for the gas for 90 seconds. If no gas is applied or detected in that time, the display will return to CAL.
7. When the sensor detects the gas, the display will flash back and forth between the gas concentration and **SPn**, then the calibration will progress and the display will show the gas level for a maximum of 165 seconds.
8. When the calibration is successful, the display will flash back and forth between the gas concentration and **PAS**, then the display will show the calibration gas level and the calibration is done.
9. If the calibration fails, the display will flash back and forth between the gas concentration and **FAil** (fail). If this occurs, check the pressure gauge on the regulator. If the pressure is less than 25 psi the flow of gas may not be adequate to properly calibrate the unit. If there is proper pressure in the cylinder repeat steps 4 through 6. If the unit fails to calibrate twice contact Technical Assistance: 1-877-367-7891
10. Once the calibration has passed, remove gas and disassemble the cylinder and regulator.
11. Re-assemble the TX-6-HS (make sure the LED is aligned with the front case hole). Calibration is complete
12. See Calibration Flowchart on the inside of the housing.