



**NETWORK
TECHNOLOGIES
INCORPORATED**

1275 Danner Dr Tel:330-562-7070
Aurora, OH 44202 Fax:330-562-1999
www.networktechinc.com

ENVIROMUX[®] Series

E-AVDS-CELC-V3 Automatic Voice Dialer System

Installation and Operation Manual



TRADEMARK

ENVIROMUX is a registered trademark of Network Technologies Inc in the U.S. and other countries.

COPYRIGHT

Copyright © 2021 by Network Technologies Inc. All rights reserved. No part of this publication may be reproduced, stored in a retrieval system, or transmitted, in any form or by any means, electronic, mechanical, photocopying, recording, or otherwise, without the prior written consent of Network Technologies Inc, 1275 Danner Drive, Aurora, Ohio 44202.

CHANGES

The material in this guide is for information only and is subject to change without notice. Network Technologies Inc reserves the right to make changes in the product design without reservation and without notification to its users.

TABLE OF CONTENTS

Introduction.....	1
Materials.....	1
Mounting and Wiring	2
Installation	3
Programming.....	7
Technical Specifications.....	12
Warranty Information.....	12

INTRODUCTION

The E-AVDS-CELC-V3 is an automatic voice dialer system that when used in conjunction with the ENVIROMUX Enterprise Environment Monitoring System can call up to 6 pre-programmed numbers and provide a recorded message communicating the status of a sensor. When the SYSTEM recognizes an alarm it triggers the auto dialer. The telephone auto dialer uses a telephone line to dial the pre-programmed telephone number. It then replays a previously recorded message, thereby alerting the recipient of the call to the alarm and potential intrusion. Once the user is connected through the phone line, they can operate the auto-dialer remotely.

Features:

- Calls up to 6 telephones or cell phones when a sensor goes out of range of a configurable threshold.
 - Initial "location" part of voice message can be up to 12 seconds.
 - Up to three different endings for custom recorded voice messages of up to 6 seconds each.
- Four input channels.
 - E-16D supports four input channels via the Output Relay connections.
 - E-5D supports two input channels
 - E-2D supports one input channel
 - For full channel support with E-5D and E-2D, use in conjunction with a E-DI16DOR16 to work with the dialer. (Note: When using the E-DI16DOR16, each input must be set to N.O.)
- Powered by the E-2D/5D/16D.
 - Current consumption: 200mA @ 12VDC.
- The dialer message playback tone is adjustable
- The last event that has occurred is viewable on the LCD display
- The auto dialer can be operated remotely after answering the phone call or by calling it directly
- Dimensions WxDxH: 3.94x5.51x1.38 in (100x140x35 mm)
- Regulatory approvals: CE, RoHS

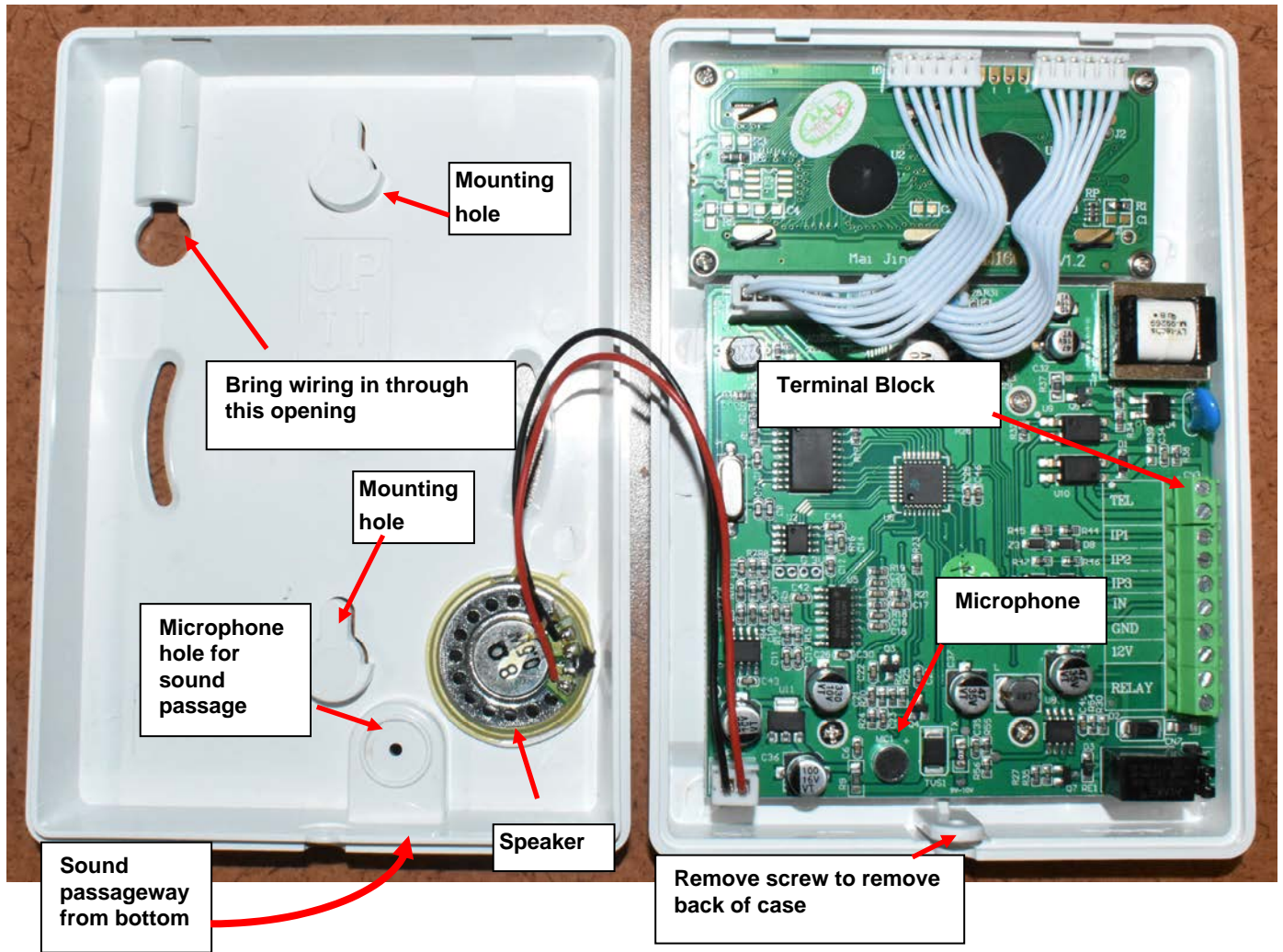
MATERIALS

Materials supplied with this kit:

- NTI E-AVDS-CELC-V3
- URL Slip with path to this manual

MOUNTING AND WIRING

The E-AVDS-CELC-V3 can be wired to be powered directly by most ENVIROMUX model monitoring systems. A terminal block is located inside the case, accessed by removing the screw at the bottom of the unit. When 12VDC @ 200mA is not available, an external 12V power supply must be used. The Automatic Voice Dialer can be ordered with a power supply by ordering E-AVDS-CELC-PV3. See next pages for examples of wiring methods for the various ENVIROMUX models it can be connected to.



When mounting the dialer, do not block the passageway as sound must enter to record messages.

INSTALLATION

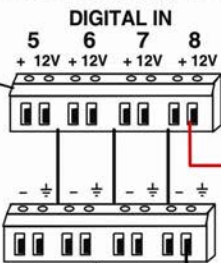
The dialer must be connected to a +12 V power supply which is fused at 2 Amps or less. Standard copper wiring should be used. Connect the alarm cable wiring starting with +12V and 0V connections from the ENVIROMUX and wire them into the +12V and 0V terminals of the Dialer. If the ENVIROMUX is not being used as the power supply for the Dialer then a common 0V connection between the control panel and dialer must be made. Now wire as many trigger channels from the ENVIROMUX to the auto dialer as required. Wiring examples are provided.

Example of schematic for wiring E-AVDS-CELC-V3 to E-16D

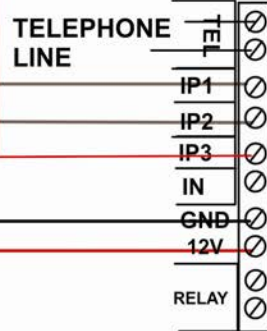
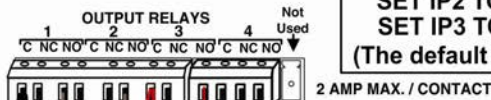
TRIGGER MODES:
 SET IP1 TO L-N.O
 SET IP2 TO L-N.O
 SET IP3 TO H-N.O
 (The default settings)

DIGITAL IN terminals 1-7 are rated at 50mA max.current
DIGITAL IN terminal 8 is rated at 350mA max. current.

(ON REAR OF ENVIROMUX-16D)



(ON REAR OF E-16D)

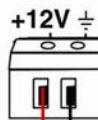


Terminals on E-AVDS-CELC-V3

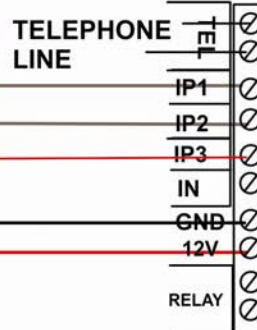
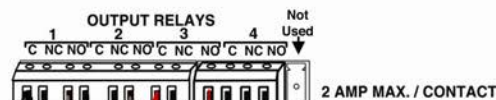
The E-AVDS-CELC-V3 is powered through the E-16D. Connect the 4 wire cable to either DIGITAL IN 8 or to the AUX PWR terminals "12V" and "GND"

(ON REAR OF E-16D)

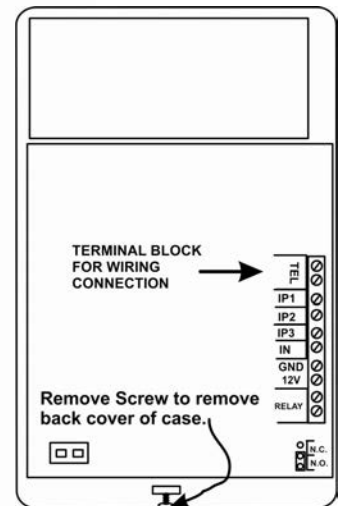
AUX PWR



(ON REAR OF E-16D)



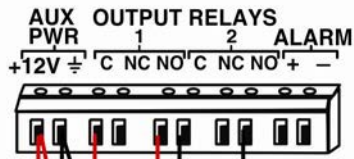
Terminals on E-AVDS-CELC-V3



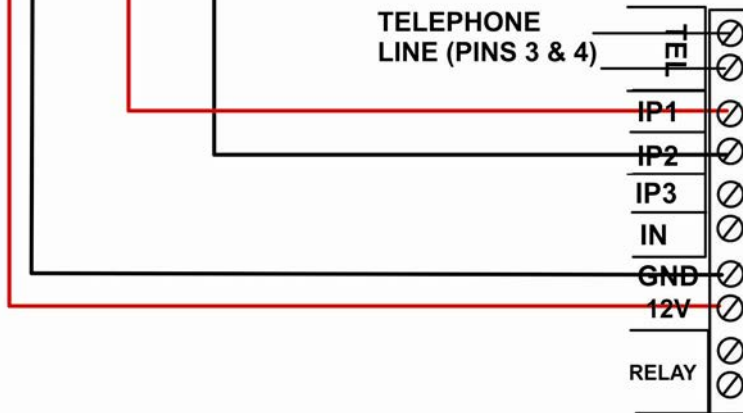
Rear View of inside of E-AVDS-CELC-(P)V3

Example of schematic for wiring E-AVDS-CELC-V3 to E-5D

(OUTPUT RELAYS ON E-5D)



SET IP1 TRIGGER MODE TO H-N.O AND IP2 TO L-N.O TO TRIGGER THE DIALER



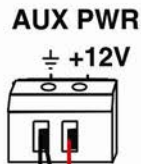
Terminals on E-AVDS-CELC-V3

Example of schematic for wiring E-AVDS-CELC-V3 to E-2D

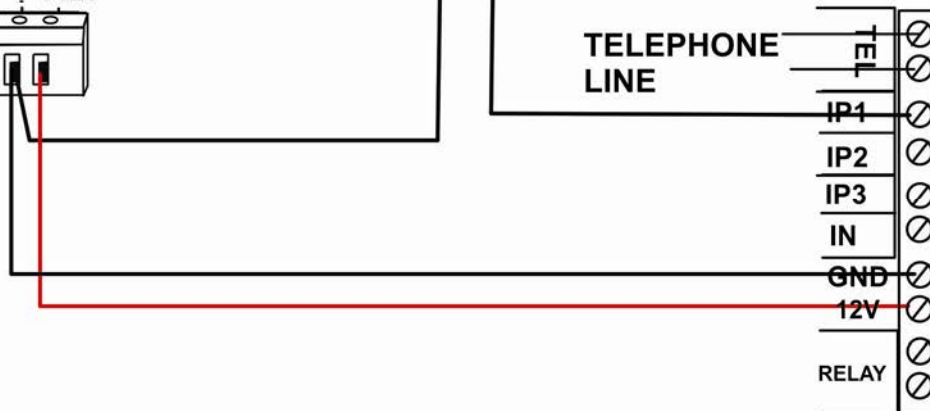
(Input 1 is shown wired)

(OUTPUT RELAY ON E-2D)

(AUX PWR TERMINALS ON E-2D)

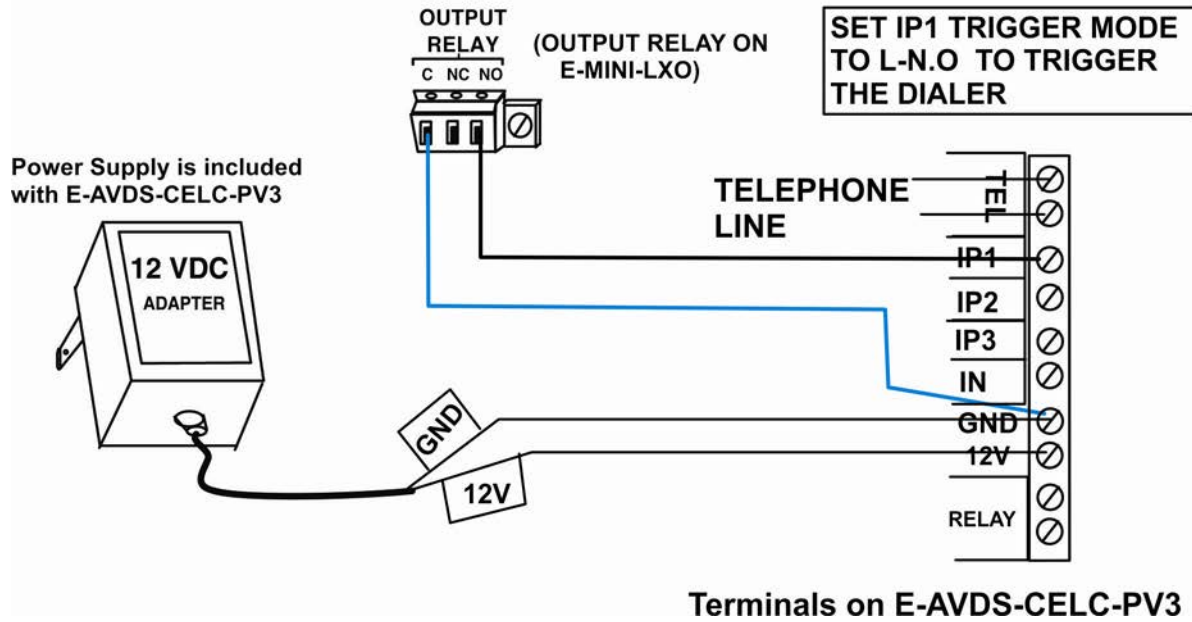


SET IP1 TRIGGER MODE TO L-N.O TO TRIGGER THE DIALER

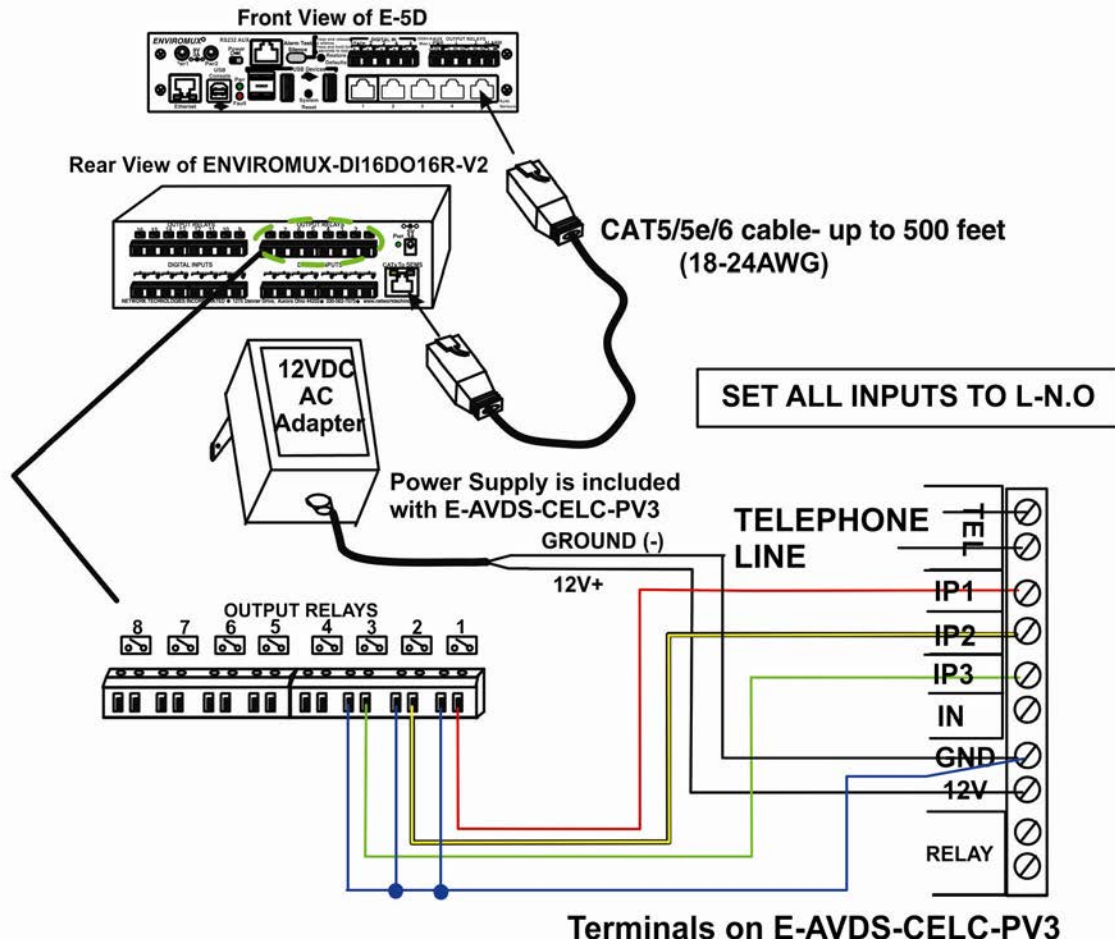


Terminals on E-AVDS-CELC-V3

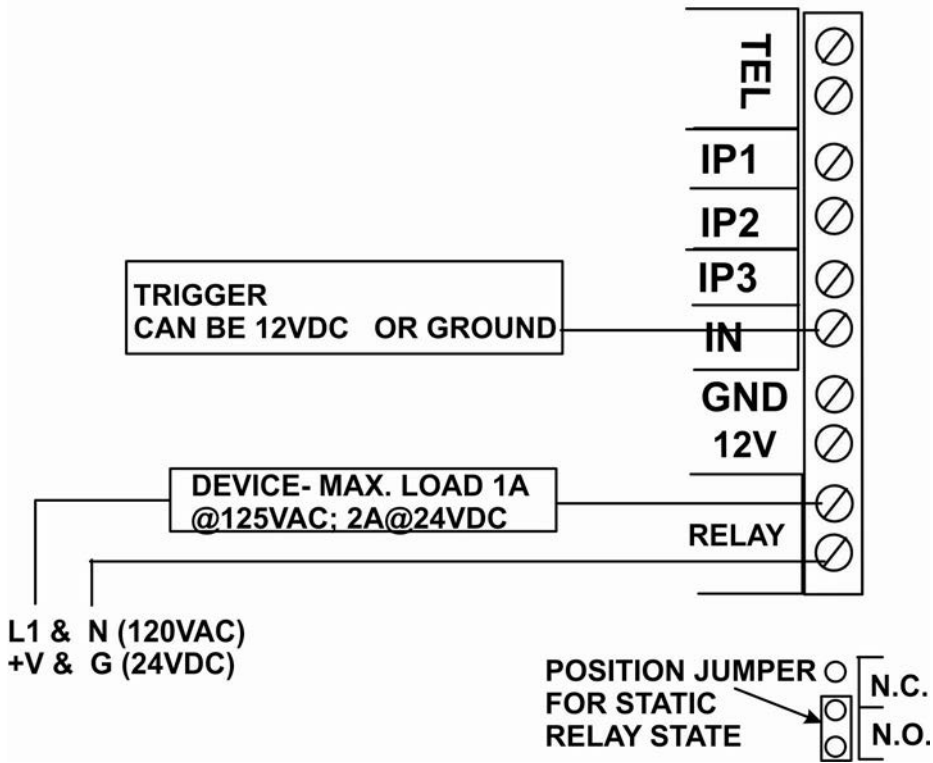
**Example of schematic for wiring E-AVDS-CELC-PV3 to E-MINI-LXO
(Input 1 is shown wired)**



Example of schematic for wiring E-AVDS-CELC-PV3 to E-5D with E-DI16DOR16-V2



Wiring of Onboard Relay



PROGRAMMING

The dialer is on standby when only the green power "ON" LED is illuminated. To make changes to the configuration, you must first enter the four-digit engineer code.

The factory set engineer code is **8888**

Press **ENTER** → **8888** → **ENTER** to get into the menu.

Note: Setting success will issue "DI" sound.

If there is no operation within 20 seconds, the system will automatically exit and sound "DI~DI~DI~DI"

1. Programming Telephone Number

Up to six telephone numbers can be programmed into the dialer.

- Press **ENTER** Key to start or press **01**→**ENTER** to program the first phone number
- Press **UP** and **Down** Key to select numbers (1-6) you want programmed with **ENTER**
- Key in the telephone number and finish by pressing **ENTER**. Up to 14 digits are allowed. The number is automatically saved once you hear the sound "DI"

1.1 Delete Telephone number

- Press **ENTER**
- Press **UP** and **Down** Key to select the telephone number to be deleted (1-6) and press **ENTER**
- Press **ENTER** again

Setting success will cause the dialer to issue the sound "DI".

2. Recording Message

You can program up to four messages.

Message 0 is used as a location message (common to messages 1, 2 and 3) and lasts up to 12 seconds

Message 1,2 and 3 are used as alarm messages, each lasting up to 6 seconds.

Message numbers correspond to the Input numbers. A trigger of Input 1 will call the phone number associated with Input 1 and play Messages 0 and 1. A trigger of Input 2 will call the phone number associated with Input 2 and play Messages 0 and 2, etc.

To record or re-record a message:

- Select the menu with the **UP** and **Down** Key or press **02**→**ENTER** to start the program.
- Press **ENTER** to start recording.
- Press the number of the message (0-3, where 0 corresponds to the location message).
- Key in 0= Record, 1=Playback
- Now speak clearly into the microphone. The countdown (12 seconds for message 0, 6 seconds for message 1-3) is displayed on the screen.

Example:

A location message (message "0") can be "This is the alarm system at Mr. David's house, Shennan Road, Futian. There is..."

The second part of the message, the alarm message, can be (for example):

Message 1 " Fire alarm "

Message 2 " Personal Attack "

Message 3 " Intruder alarm "

The dialer automatically stops recording at the end of a message delay. If the announcement to be recorded in message 0 is much shorter than 12 seconds you can stop the recording at any time by pressing **ENTER**. After the message is recorded there is a short interval, after which the dialer plays back your recorded message.

2.1 Playback of Message

To play any of the messages previously recorded:

- b) Press **ENTER**
- c) Press the number of the message (0-3, where 0 corresponds to the location message).
- d) Key in 1=Playback

3. Dialing mode

The dialer can be programmed to call a specific number when each alarm occurs, or it can be programmed to call all programmed numbers.

Once: non- sequential dialing, which calls a particular number, depending upon the type of alarm (number of the input). I.e. Trigger Input 1 to call phone number 1. Trigger Input 2 to call phone number 2. Trigger Input 3 to call phone number 3. In this mode, phone numbers 4 though 6 are not used.

Sequential: calls up to six numbers in succession. Regardless of which input is triggered, all 6 programmed phone numbers will be called. Only the Location message and message associated with the input triggered will play for all 6 recipients called.

Set the Dial- up mode

- a) Select the menu with the **UP** and **DOWN** keys or press **03**→**ENTER** to start the program.
- b) Key in 0= Once,
1= Sequential
- c) Press **ENTER** to finish. Setting success will issue "DI"

4. Trigger Types

The three inputs (IP1- IP3) , and the Relay Control input (IN) , can be individually programmed as:

L-N.O
L-N.C
H-N.O
H-N.C

L-N.O = Input will trigger the dialer when the input is connected to ground, and stop dialing when the input is disconnected from ground.

L-N.C = Input will trigger the dialer when the input is disconnected from ground, and stop dialing when the input is connected to ground.

H-N.O = Input will trigger the dialer when the input is connected to 12V, and stop dialing when the input is disconnected from 12V.

H-N.C = Input will trigger the dialer when the input is disconnected from 12V, and stop dialing when the input is connected to 12V.

To change the trigger levels

- a) Select the menu with the **UP** and **Down** keys or press **04** → **ENTER** to start the program
- b) Select the three inputs (IP1- IP3) , or input (IN) that you need to program again by **UP** and **Down** keys, and press **ENTER** key you will see:

IP1 Trigger Level
L- N.O

IP1 (0-3)
2=L-NO

- c) Key in **0=H-NO; 1=H-NC; 2=L-NO; 3=L-NC**
The factory default settings are:
 - IP1: 0=L-N.O (- ve trigger, Normally Open)
 - IP2: 2=L-N.O (- ve trigger, Normally Open)
 - IP3: 2=H-N.O (+ ve trigger, Normally Open)
 - IN: 3=L-N.C (- ve trigger, Normally Closed)
- d) Press **ENTER** to complete the settings, and use same above steps to change other input settings.
- e) Press **ESC** to return to the menu to continue.

Note: The Inhibit input (IN) is for changing the state of the relay. It has nothing to do with dialing phone numbers.

5. Trigger Modes

The auto dialer has three programmable inputs, and the user can change the trigger mode of the input.

- 0=Edge Trigger-When the trigger signal is detected the dialer will start dialing. The dialer will make a circular call to all numbers three times even if the trigger signal is stopped
- 1=Level Trigger-When the trigger signal is detected the dialer will start dialing. If the trigger signal stops, the dialer will stop dialing. (Level Trigger is the default setting)

To change the trigger mode

- a) Select the menu with the **UP** and **Down** keys or press **05** → **ENTER** to start the program
- b) Key in 0= Edge Trigger, 1= Level Trigger
- c) Press **ENTER** to complete the settings, and then press **ESC** to return to the menu to continue

6. Display the Latest Event

When the dialer is triggered it will log the trigger input (IP1 to IP3) in its event memory.

To view the last event:

- a) Select menu with **UP** and **Down** key or press **06** → **Enter** to start the program
- b) The last alarm event will be displayed
- c) Press **ESC** to return to the main menu

Note: If the last alarm number with "OK" is displayed on the screen, it means the user has pressed the "0" key when they answered the phone and confirmed the alarm notification.

7. Changing the Engineer Code

The engineer code is 8888 by default . You can change this as follows:

- a) Select the menu with the **UP** and **Down** keys or press **07→ ENTER** to start the program
- b) Press **ENTER** again to key in new password
- c) Press **ENTER** to complete the settings, and then press **ESC** to return to the menu to continue. After code is changed, the dialer automatically resets to the top of the Engineering menu

8. Perform a Test Call

To test that telephone numbers have been set up correctly the dialer can perform a test call. To make a test call:

- a) Select the menu with the **UP** and **Down** keys or press **08→ENTER** to start the program
- b) Press **UP** and **Down** key (1 to 6) to select the number to be tested.
- c) Press **ENTER** to complete the settings, and then press **ESC** to return to the menu to continue

9. Setting the Dialer Tone

To confirm an action the dialer sounds a fast "DI"

To alert you to an error or exit the program the dialer sounds four DI~DI~DI~DI.

You can alter the volume of the messages when they are played back. By default the dialer uses Medium (1).

- a) Select the menu with the **UP** and **Down** keys or press **09→ ENTER** to start the program
- b) Key in 0 = Silent; 1 = Medium; 2 = Loud
- c) Press **ENTER** to complete the settings, and then press **ESC** to return to the menu to continue

10. Setting Ring Time for Remote Phone Control

After setting the number of times the Dialer will ring before answering a call from a user, the user will be able to activate or deactivate the onboard relay remotely (see **13. Answering Alarm Phone Call to Start Remote Control**).

- a) Select the menu with the **UP** and **Down** keys or press **10→ ENTER** to start the program
- b) Key in 0-9 times, (default is 3, to disable the feature enter 0)
- c) Press **ENTER** to complete the settings, and then press **ESC** to return to the menu to continue

11. Setting Relay Working Time

The dialer has one relay controlled by the Relay Control Input (IN). The relay activation time can be programmed from 1 to 255 seconds. The factory setting for relay activation time is 10 seconds. The static relay state (N.O. or N.C.) is determined by a jumper in the lower right corner of the circuit board. (See page 6)

- a) Select the menu with the **UP** and **Down** keys or press **11→ ENTER** to start the program
- b) Key in the number (1-255)
- c) Press **ENTER** to complete the settings, and then press **ESC** to return to the menu to continue

12. Setting Play Times of Recorded Message

When the dialer is triggered it will playback the recorded message ten seconds after the phone is connected with the person called. The user can set the number of times the recorded message will play, once or twice (default setting is once).

- a) Select the menu with the **UP** and **Down** keys or press **12→ENTER** to start the program.
- b) Key in 1= once; 2= twice
- c) Press **ENTER** to complete the setting, and then press **ESC** to return to the menu to continue.

13. Answering Alarm Phone Call to Start Remote Control

When an alarm occurs, the auto dialer will call the stored phone numbers. When answering the call, the user will first hear the recorded voice message followed by two beeps. The user can choose to remotely control the dialer as indicated below, or if there are no entries within 30 seconds the dialer will hang up.

Remote Controlling Includes:

Press 3 - to play the message once more.

Press 4 - to start monitoring. This will turn ON the microphone at the dialer so the caller can hear what is going on in the environment around the dialer. The call will be one-way, the caller will not be able to talk to anyone at the dialer's location. Monitoring will last 10 seconds unless you press 4 again.

Press 0 - to cause the dialer to stop dialing, and it will not dial any other numbers.

You can also call the dialer to control the relay output (whether the dialer has called you or you have called the dialer):

Press 8 - the relay will activate, and the relay will automatically deactivate after the preset time (see "11. Setting Relay Working Time").

Press 9 - to deactivate the relay.

Note: If you call the dialer directly, you will only be able to change the state of the relay. You cannot control the alarm in any way.

When you call the Dialer:

1. You will hear as many slow beeps as you have programmed in Step 10 on page 10.
2. When the dialer answers you will hear two fast beeps.
3. Enter the password- **8888** using your phone's keypad.
4. If correct, you will hear two fast beeps.
5. Press 8, or 9 (described above). If you do nothing, after 30 seconds the dialer will hang up.

14. Stop dialing through keypad

User can stop the dialer from dialing by using the keypad.

Press **Esc**→ **8888**→ **Enter** at the keypad. The dialer will stop dialing in few seconds.

15. Reset

Disconnect the power at the dialer. Press the **Enter** button and re-apply power to the dialer. It will issue a long beep which means the dialer has been reset to factory settings.

TECHNICAL SPECIFICATIONS

Max. # of stored phone numbers	6
Max. # of digits per phone number	14
Recording (message) duration	12 Seconds for location message 6 seconds for each of 3 alarm (input) messages
Input Voltage	10 to 15 VDC
Standby Current	40mA
Max. Operating Current	200mA
Onboard Relay	Max. 1A @125VAC or 2A @24VDC
Dialing Method	Tone
Power Supply	Powered by ENVIROMUX
Size WxDxH	3.94 x 5.51 x 1.38 In. (100.00 x 140.00 x 35.00 mm)
Approvals	CE, RoHS

WARRANTY INFORMATION

The warranty period on this product (parts and labor) is two (2) years from the date of purchase. Please contact Network Technologies Inc at **(800) 742-8324** (800-RGB-TECH) or **(330) 562-7070** or visit our website at <http://www.networktechinc.com> for information regarding repairs and/or returns. A return authorization number is required for all repairs/returns.